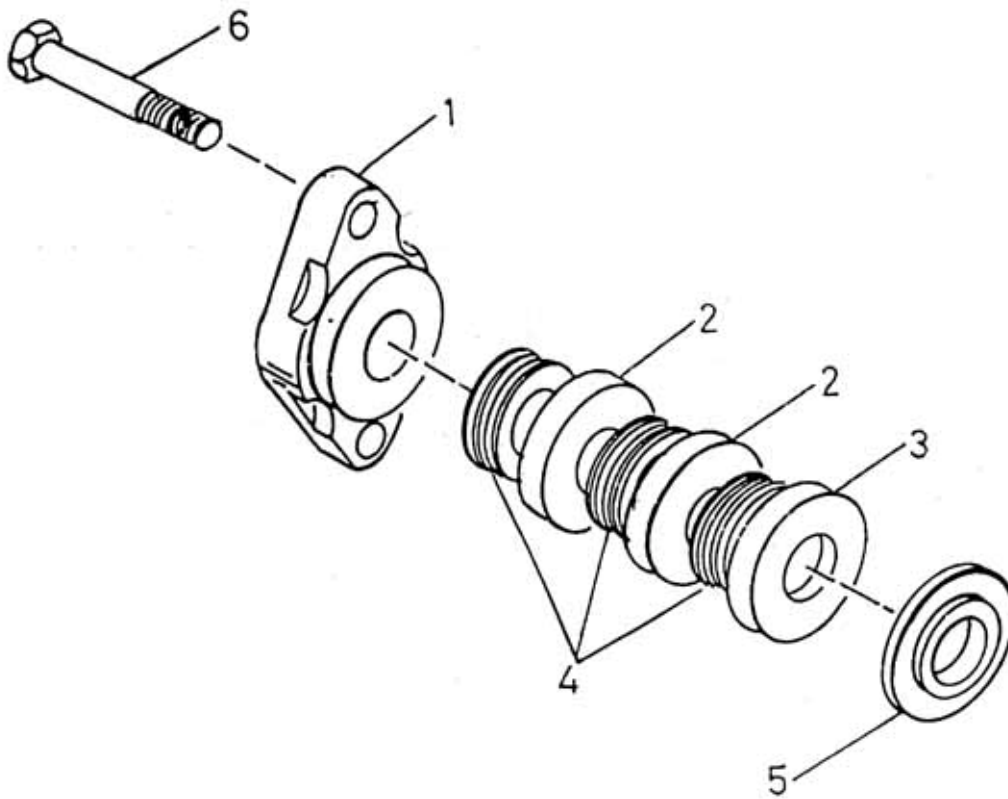


## 12. ASSEMBLY PACKING METALLIC - MODEL 9.5 x 7 NL



All manufacturer's names, numbers, photos, product description and/or part numbers are used for reference purposes only & it is not implied that any part listed is the product of these manufacturers. Since Approvement are made from time to time, the illustration and specifications are subject to change without notice.

## 12. ASSEMBLY PACKING METALLIC - MODEL 9.5 x 7 NL

No.	Description	Ref Part No.	QTY
1	Flange Packing Case	97071294	1
2	Cup Packing	97071302	2
3	Cup Packing End	97071310	1
4	Ring Packing	95062469	3
5	Gasket Packing Case	39312962IM	1
6	Screw Cap Hex Head 5/8" X 3"	95104469	2

All manufacturer's names, numbers, photos, product description and/or part numbers are used for reference purposes only & it is not implied that any part listed is the product of these manufacturers. Since Approvement are made from time to time, the illustration and specifications are subject to change without notice.